

**Multi Port - Three & Four Way
Lubricated Plug Valve**



**REGULAR PATTERN - STANDARD TYPE -
LEVER OPERATED CLASS 300 - MAX. WP 100, 150 & 200 LBF/IN²**

RASHTRIA Lubricated Taper Plug Valve has been successfully used in variety of services because of its unique in line maintenance capability. The Plug & Body seating surfaces, which are grinded and matched, are not exposed to the line fluid. Valves are impregnated with P.T.F.E. which provides greater wear resistance and ensures low consistent operating torque and at the same time reducing the need of lubrication. P.T.F.E. also enhances resistance to seizure.

MULTI PORT LUBRICATED TAPER PLUG VALVE PROVIDE

- i. Reduction in number of valves & fittings which results in simplified pipe layout.
- ii. Quick and easier operation with increased safety and reliability.
- iii. Reduction in overall cost of installation & operation.

Multiport Plug Valves of three-way and four way are ideally suited for flow diversion and tight shut-off against full rated pressure in the positive direction i.e. the line pressure holds the plug against the body port which in to be shut off from higher pressure

OPERATIONS

Multi Port Lubricated Plug valves are supplied

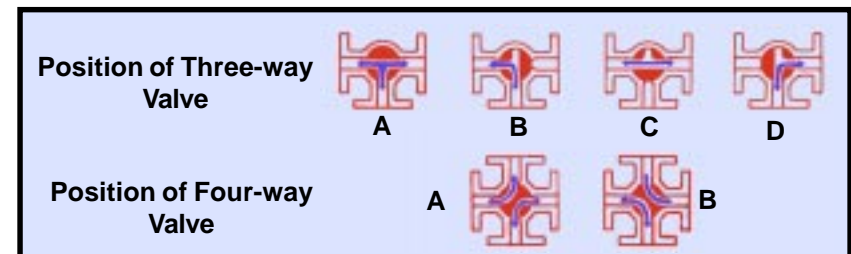
with square stems suitable for wrench operation. Wrenches, as required, should however be order separately. All Four-way valves are provided with 90° rotational stops. As a standard, Three-way plug valves are offered without stops, but on specific request, can be fitted with stops for any combination of flow positions as shown in the fig. As a standard Multi Port Plug Valve are supplied with 'RASHTRIA-300' sealant which is suitable for most of services. On request Plug Sealant from a wide range offered (See Table 'A') can be supplied to suit the nature of service. It is recommended that you consult us before selecting the Valve for a new service.

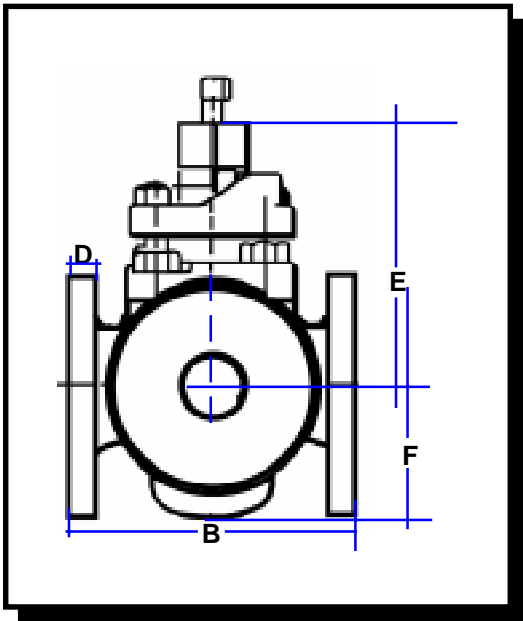
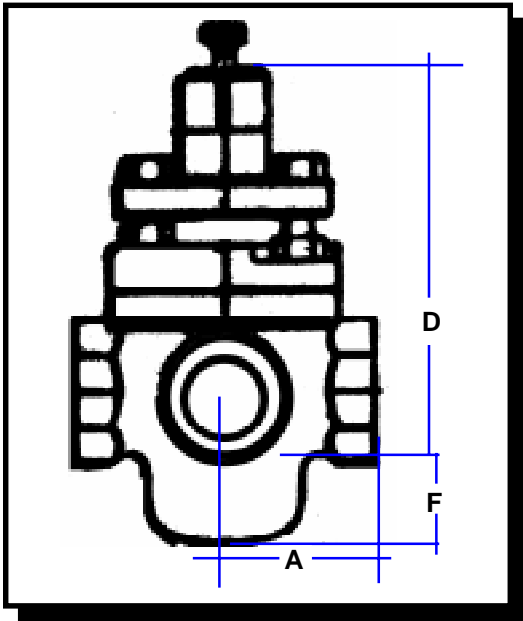
END CONNECTIONS

Screwed : BSP Tr. as per BS 21

Flanged : To match flange drilled to BS 10 Table D, E or F
ANSI B 16.1 Class 125

Valves can be offered with undrilled flanges





		ND25	ND32	ND40	ND50	ND80	ND1-00
End to End Screwed	A	133	154	174.8	197	--	--
Face to Face Flanged	B	165	--	222.3	241.3	304.8	355.6
Flange Diameter	BST 'D'	120.7	--	133.4	152.4	184.2	215.9
	BST 'F'	120.7	--	139.7	165.1	203.2	228.6
	CI-125	108.0	--	127.0	152.4	190.5	228.6
Flange Thickness	BST 'D'	12.7	--	15.7	19.1	19.1	22.4
	BST 'F'	12.7	--	15.7	19.1	19.1	23.9
	CI-125	12.7	--	15.7	19.1	19.1	23.9
C/L to top of plug	E	154	176	189	214	257	279
C/L to bottom of body	F	59	65	76	92	137	148
Sealant Stick size		A	B	B	C	D	D

Name of Part	Specification
BODY	Cast Iron IS 210 Gr. FG.200
PLUG	Cast Iron IS 210 Gr. FG.200
Gland	Cast Iron IS 210 Gr. FG.200
Cover	Cast Iron IS 210 Gr. FG.200
Bolting	Carbon Steel
Check Valve	Carbon Steel
Gland Packing	Graphited Asbestos
Gasket	Compressed Asbestos

SCALE : N.T.S.

Multi Port Cast Iron Lubricated Plug Valve 3 way & 4 way				
		Name		Date
Traced		Drawn		
Cat. No.	PVM 102	Compared		
Drg. No.	102	Checked		
Material		Approved		
Rashtria Metal & Steel Inds.(Regd) Jalandhar - 144 004 (India)				

Due to Continuous development , modifications are made by our Engineering Dept. Design & Data are subject to change without notice to give you a Better Product.